

# encoders and potentiometers

# 7

Ambach.....	368	Küppersbusch.....	370
Angelo-Po.....	368	Lainox.....	370
Baron.....	368	Lotus.....	371
Berner.....	368	Mareno.....	371
Bertos.....	368	MKN.....	371
Convothem.....	368	Olis.....	371
Cookmax.....	368	Öztiryakiler.....	371
EGO.....	369	Pizza-Group.....	371
Electrolux.....	369	Rational.....	371
Fagor.....	369	Roller Grill.....	371
Fimor.....	369	Rosinox.....	372
Foster.....	369	Scholl.....	372
FriFri.....	369	Sharp.....	372
Gico.....	370	Sirman.....	372
Giorik.....	370	Tecnoinox.....	372
Hatco.....	370	Therma.....	372
Henkelman.....	370	Zanoli.....	372
Hoonved.....	370		
Hounö.....	370		
Krefft.....	370		



## encoders and potentiometers

## Ambach



fig.	GEV No.	description	Ref. No.
1	401338	encoder	R65321450
2	347436	operation switch 2 operating positions 2NO sequence 0-1 16 A shaft $\varnothing$ 6x4.6mm shaft L 23 mm	5003518422

## Angelo-Po



fig.	GEV No.	description	Ref. No.
1	300230	potentiometer	32V5580

## Baron



fig.	GEV No.	description	Ref. No.
1	401338	encoder	LAR65301450
2	300252	potentiometer 2 operating positions 2NO sequence 0-1 16 A shaft $\varnothing$ 6x4.6mm shaft L 23 mm	CR0737320
3	300188	potentiometer rotation angle 310° oven	BN3103260

## Berner



fig.	GEV No.	description	Ref. No.
1	300249	operation switch 2 operating positions 2NO switching sequence 0-1 16A shaft $\varnothing$ 6x4,6mm	LP1-100108

## Bertos



fig.	GEV No.	description	Ref. No.
1	347599	operation switch 2 operating positions 4NO sequence 0-1 16 A shaft $\varnothing$ 6x4.6mm shaft L 23 mm	38151200

## Convothem



fig.	GEV No.	description	Ref. No.
1	300098	potentiometer	5009095

## Cookmax



fig.	GEV No.	description	Ref. No.
1	401338	encoder	R65301450
2	401677	encoder for microwaves	—
3	401678	encoder for microwaves	—



fig.	GEV No.	description	Ref. No.
4	401953	PCB hand blenders VORTEX 230V with potentiometer	IB5944010
5	300362	potentiometer 0,1 KOhm rotation angle 270 ° confected cable length 28 mm shaft length 42 mm	IB5940920
6	402057	potentiometer 0,5 KOhm rotation angle 320 ° shaft length 12,8 mm shaft $\varnothing$ 6 mm 25 W 230 V	X02.13.330.00



fig.	GEV No.	description	Ref. No.
7	300227	potentiometer 100 KOhm rotation angle 270° cable length 600mm shaft length 42mm M10	—
8	300231	potentiometer 880 KOhm rotation angle 310 ° with switch shaft length 8 mm thread M10x0,75	0232100



**EGO**



fig.	GEV No.	description	Ref. No.
1	345331	operation switch 2 operating positions 1NO sequence 0-1 16 A shaft ø 6x4.6mm shaft L 23 mm	78.94032.507
2	347436	operation switch 2 operating positions 2NO sequence 0-1 16 A shaft ø 6x4.6mm shaft L 23 mm	78.94032.009
3	347514	operation switch 2 operating positions 2NO sequence 0-1 16 A shaft ø 6x4.6mm shaft L 23 mm	78.94032.506



fig.	GEV No.	description	Ref. No.
4	345119	operation switch 2 operating positions 2NO sequence 0-1 16A shaft ø 6x4.6mm shaft L 23mm	78.94010.000
5	347599	operation switch 2 operating positions 4NO sequence 0-1 16 A shaft ø 6x4.6mm shaft L 23 mm	78.94031.519 78.94031.520
6	300252	potentiometer 2 operating positions 2NO sequence 0-1 16 A shaft ø 6x4.6mm shaft L 23 mm	78.94031.523

**Electrolux**



fig.	GEV No.	description	Ref. No.
1	348104	operation switch 10 operating positions 1NO sequence 0-1-2-3-4-5-6-7-8-9 16 A shaft ø 6x4.6mm	0C0084
2	345331	operation switch 2 operating positions 1NO sequence 0-1 16 A shaft ø 6x4.6mm shaft L 23 mm	0G3299
3	347514	operation switch 2 operating positions 2NO sequence 0-1 16 A shaft ø 6x4.6mm shaft L 23 mm	0G3298



fig.	GEV No.	description	Ref. No.
4	346984	operation switch 2 operating positions 4NO switching sequence 0-1 32A shaft ø 6x4,6mm	0K5063
5	403557	potentiometer 0,6KOhm shaft ø 6mm shaft L 14mm cable length 155mm thread M9 plug type male faston	0C0974
6	402070	potentiometer 10KOhm rotation angle 360° shaft length 18mm M10x0,75 thread length 9mm	0G0317

**Fagor**



fig.	GEV No.	description	Ref. No.
1	300198	encoder	12030862
2	300253	encoder for combi-steamer cable length 125 mm shaft 6x4.6mm shaft L 16 mm	12024753
3	300254	encoder for combi-steamer cable length 160 mm shaft 6x4.6mm shaft L 16 mm	12018546



fig.	GEV No.	description	Ref. No.
4	401717	potentiometer	12020078
5	300197	potentiometer 4,7 KOhm rotation angle 360 ° with switch shaft length 22 mm shaft ø 5,9 mm	12032034
6	400106	pulser rotation angle 360 ° shaft ø 6 mm type CPC	12027410

**Fimor**



fig.	GEV No.	description	Ref. No.
1	403197	encoder	200001118

**Foster**

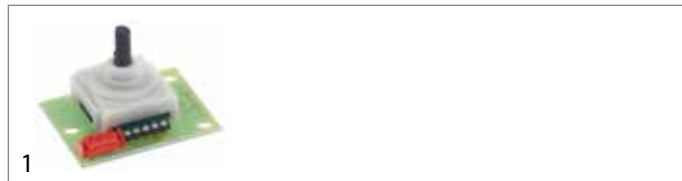


fig.	GEV No.	description	Ref. No.
1	403521	encoder shaft length 15mm	00-555396

**FriFri**




fig.	GEV No.	description	Ref. No.
1	400849	encoder rotation angle 360 ° for fryer cable length 300 mm shaft L 214 mm thread M10	101336


7 encoders and potentiometers




## Gico

			
1			
fig.	GEV No.	description	Ref. No.
1	345119	operation switch 2 operating positions 2NO sequence 0-1 16A shaft $\varnothing$ 6x4,6mm shaft L 23mm	—

## Giorik

			
1			
2			
fig.	GEV No.	description	Ref. No.
1	401169	encoder	6010102
2	300187	potentiometer 4,7 KOhm rotation angle 310 ° cable length 650 mm shaft length 20 mm	6010097


## Hatco

			
1			
fig.	GEV No.	description	Ref. No.
1	402057	potentiometer 0,5 KOhm rotation angle 320 ° shaft length 12,8 mm shaft $\varnothing$ 6 mm 25 W 230 V	X02.13.330.00


## Henkelman

			
1			
fig.	GEV No.	description	Ref. No.
1	300231	potentiometer 880 KOhm rotation angle 310 ° with switch shaft length 8 mm thread M10x0,75	0232100


## Hoonved


			
1			
fig.	GEV No.	description	Ref. No.
1	403273	encoder rotation angle 135 ° cycle shaft length 5 mm shaft $\varnothing$ 6 mm $\varnothing$ 26 mm	34908

## Hounö


			
1			
fig.	GEV No.	description	Ref. No.
1	403484	encoder cable length 90mm shaft 6mm shaft length 10mm	20900026

## Krefft


			
1			
2			
3			
fig.	GEV No.	description	Ref. No.
1	300058	potentiometer 5 KOhm	76-30400150
2	300059	potentiometer 5 KOhm rotation angle 310 ° shaft length 35 mm shaft $\varnothing$ 6 mm	76-30400151
3	300000	potentiometer 5,2 KOhm rotation angle 300 ° with switch shaft length 18 mm thread M10x0,75	76-30400268

			
4			
fig.	GEV No.	description	Ref. No.
4	400106	pulser rotation angle 360 ° shaft $\varnothing$ 6 mm type CPC	76-88171303

## Küppersbusch

			
1			
fig.	GEV No.	description	Ref. No.
1	300189	potentiometer encoder KOhm	189009

## Lainox

			
1			
2			
fig.	GEV No.	description	Ref. No.
1	401338	encoder	LAR65301450
2	403084	encoder cable length 200mm shaft 6x4,6mm shaft length 18mm	LAR65301941



## Lotus




fig.	GEV No.	description	Ref. No.
1	346441	operation switch 2 operating positions 2NO sequence 0-1 16 A shaft $\varnothing$ 6x4.6mm shaft L 23 mm	537023400

## Pizza-Group




fig.	GEV No.	description	Ref. No.
1	403205	potentiometer 10KOhm shaft length 10mm M10 shaft $\varnothing$ 6mm 2W type WTH118-1A $\varnothing$ 27,5mm	A96ZN00084

## Mareno



fig.	GEV No.	description	Ref. No.
1	300252	potentiometer 2 operating positions 2NO sequence 0-1 16 A shaft $\varnothing$ 6x4.6mm shaft L 23 mm	CR0737320

## Rational




fig.	GEV No.	description	Ref. No.
1	300198	encoder	40.00.404
2	300197	potentiometer 4,7 KOhm rotation angle 360° with switch shaft length 22 mm shaft $\varnothing$ 5,9 mm	40.00.464
3	300058	potentiometer 5 KOhm	3040.0150

## MKN

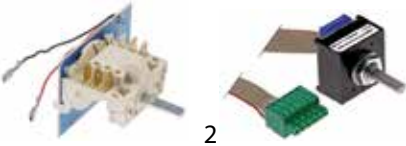


fig.	GEV No.	description	Ref. No.
1	347952	operation switch 16 operating positions 3NO switching sequence 0-16 16A shaft $\varnothing$ 6x4,6mm	203894
2	401968	potentiometer with momentary function	203733



fig.	GEV No.	description	Ref. No.
4	300059	potentiometer 5 KOhm rotation angle 310° shaft length 35 mm shaft $\varnothing$ 6 mm	3040.0151
5	300000	potentiometer 5,2 KOhm rotation angle 300° with switch shaft length 18 mm thread M10x0,75	3040.0268
6	400106	pulser rotation angle 360° shaft $\varnothing$ 6 mm type CPC	8817.1303

## Olis




fig.	GEV No.	description	Ref. No.
1	300188	potentiometer rotation angle 310° oven	BN3103260

## Roller Grill



fig.	GEV No.	description	Ref. No.
1	300144	potentiometer 0,5 KOhm	A04005

## Öztiryakiler




fig.	GEV No.	description	Ref. No.
1	403313	potentiometer 2,5KOhm cable length 130mm L 44mm $\varnothing$ 22,5mm	6229.00034.09



## Rosinox




fig.	GEV No.	description	Ref. No.
1	401338	encoder	RX94814233
2	403273	encoder rotation angle 135 ° cycle shaft length 5 mm shaft ø 6 mm ø 26 mm	RX94813831
3	345119	operation switch 2 operating positions 2NO sequence 0-1 16A shaft ø 6x4,6mm shaft L 23mm	RX94814321




fig.	GEV No.	description	Ref. No.
4	300247	potentiometer 2,2KOhm rotation angle 270° cable length 150mm shaft length 16mm M10x0,75	RX94050333

## Scholl




fig.	GEV No.	description	Ref. No.
1	345119	operation switch 2 operating positions 2NO sequence 0-1 16A shaft ø 6x4,6mm shaft L 23mm	94010000

## Sharp



fig.	GEV No.	description	Ref. No.
1	401677	encoder for microwaves	DPWBFC373WRKZ1
2	401678	encoder for microwaves	RVR-BA018WRE0

## Sirman




fig.	GEV No.	description	Ref. No.
1	401953	PCB hand blenders VORTEX 230V with potentiometer	IB5944010
2	300362	potentiometer 0,1 KOhm rotation angle 270 ° confecti- oned cable length 28 mm shaft length 42 mm	IB5940920
3	300227	potentiometer 100 KOhm rotation angle 270° cable length 600mm shaft length 42mm M10	IB5940011

## Tecnoinox




fig.	GEV No.	description	Ref. No.
1	345636	operation switch 2 operating positions 4NO sequence 0-1 16 A shaft ø 6x4,6mm shaft L 23 mm	RC01028000

## Therma




fig.	GEV No.	description	Ref. No.
1	346984	operation switch 2 operating positions 4NO switching sequence 0-1 32A shaft ø 6x4,6mm	0K5063
2	402070	potentiometer 10KOhm rotation angle 360° shaft length 18mm M10x0,75 thread length 9mm	0G0317

## Zanolli




fig.	GEV No.	description	Ref. No.
1	300189	potentiometer encoderKOhm	ELET0200